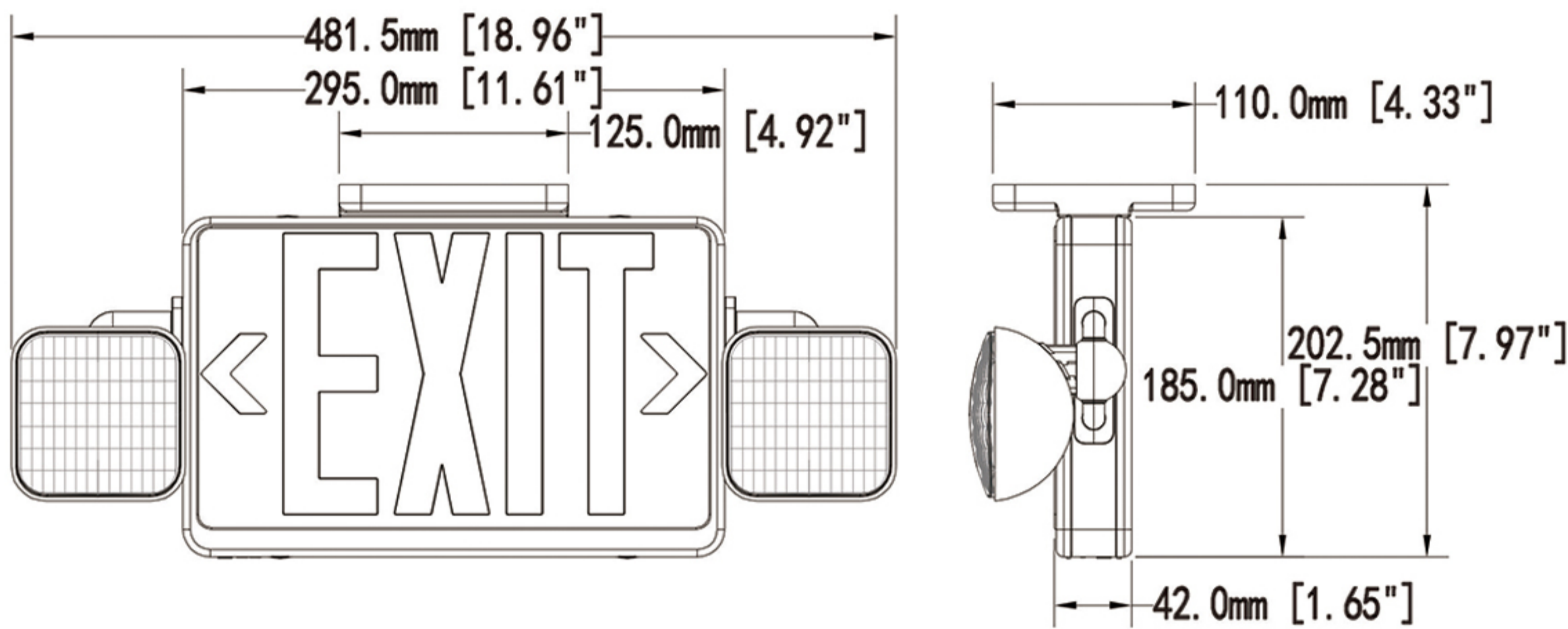


PCEX

ALL LED EXIT & EMERGENCY COMBO

DIMENSIONS



ILLUMINATION

- Long lasting, efficient ultra bright white LED lamp heads.
- 1.5watt (12LEDs x 0.125W) per head.
- High performance chrome-plated metallized reflector and plastic lens for optimal light distribution.
- Adjustable LED lamp heads provides optimal center-to-center spacing. Optional high-lumen heads are available for increased center-to-center spacing.
- Long life, energy efficient Red or Green LED EXIT sign illumination.

MOUNTING

- EZ-snap mounting canopy included for top or end mount.
- Universal K/O pattern on back plate for wall mount.

ELECTRICAL

- 120-347V.
- Charge rate/power "ON" LED indicator light and push-to-test switch for mandated code compliance testing.
- 3.6V Long life, maintenance-free, rechargeable NiCd battery.
- Internal solid-state transfer switch automatically connects the internal battery to LED board and LED lamp heads for minimum 90-minute emergency illumination.
- Fully automatic solid-state, two rate charger initiates battery charging to recharge a discharged battery in 24 hours.
- Internal toggle switch for red or green letter color selection for RG models

HOUSING

- Injection-molded, engineering grade, 5VA flame retardant, high-impact resistant, thermoplastic in white or black finish.
- EZ snap-out chevron directional indicators.

WARRANTY/LISTING

- Five year warranty on all electronics and housing. Battery pro rated for five years.
- Damp locations (0°C - 50°C) .

ORDERING INFORMATION

Model	No. of faces	Letter	Housing
PCEX	1 Single Face	R Red	W White
	2 Universal Single/Double Face	G Green RG Red/Green	B Black