

S20

ASSET GPS TRACKER



Asset GPS tracker S20 is self-contained battery powered device and can be easily moved from vehicle to vehicle, placed in a package, or even used to monitor and track valuable assets.

GPS tracker S20 is a professional tracking device for transport & logistics industry, refrigerated cargo industry, container tracking, construction, valuable assets and criminal investigation.

FUNCTION



Real-time Tracking



Light Sensor and Disassemble Alarm



Strong Magnetic



Remotely Voice Monitoring



Long Life Battery



Multiple Alert Protections

PARAMETER

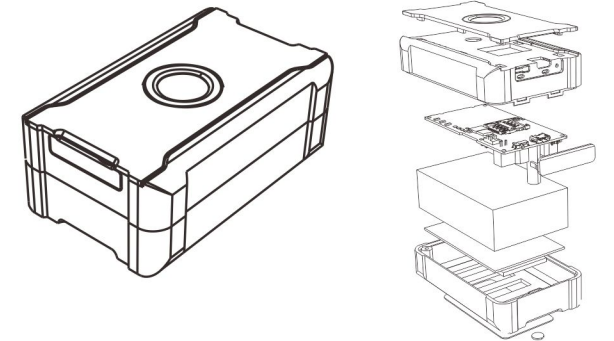
Size	80mm(L)*50mm(W)*32mm(H)	Weight	170g
Working Temperature	-25°C to 80°C	Built-in Battery	5800mAh
Working Voltage	3.7V		

HARDWARE SPECIFICATION

Location Accuracy	<=10m	Channel	20 Class
GPS Chip	MTK2503D	GPS Sensitivity	-144dBm
GSM Frequency	850/900/1800/1900MHZ	Tracking Sensitivity	-160dBm
	Hot Start<2SEC(Open Sky)	Power LED Indicator	Red
Positioning Time	Warm Start<15SEC	GPS LED Indicator	Blue
	Cold Start<38SEC(Open Sky)	GSM LED Indicator	Green
GSM Antenna	Spring Antenna		
GPS Antenna	Built-in 25mm*25mm*2mm Ceramic Antenna		
GPRS	Class12. TCP/IP Built-in GSM Module		

SOFTWARE SPECIFICATION

Data Upgrade Port	Not Support	ACC Detection	Not Support
Function Port Definition	Not Support	Geo-fence	Support
Parameter Setting	SMS Command, Platform	Low Battery Alarm	Support
GPRS Upload	Upload Interval Every 10 Seconds	Vibration Alarm	Not Support
Third-party Checking	WEB/APP	Disassemble Alarm	Support



APPLICATION



Container Tracking



Trailer Tracking



Luggage Tracking