

G19

VEHICLE GPS TRACKER



GPS tracker G19 is a small and compact device which integrated GSM technology, GPS technology, built-in antenna and sensors. The device supports real-time tracking, over-speed alarm and other functions.

Through our standard waterproof performance testing, GPS G19 reaches waterproof Ip67 level, shows that it could continuously work in vehicle wading situation or rainy day.

FUNCTION



Real-time Tracking



History Playback



Waterproof Protection



Mini Size and Easy to Hide



SMS Notification



Multiple Alert Protections

PARAMETER

Size	74mm(L)*35mm(W)*13mm(H)
Working Temperature	-20°C to 70°C
Working Voltage	9-90V

Weight	32g
Built-in Battery	None

HARDWARE SPECIFICATION

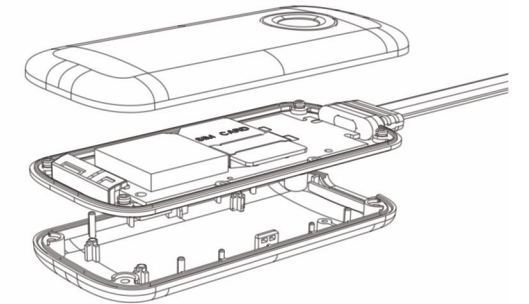
Location Accuracy	<=10m
GPS Chip	MTK6261D
GSM Frequency	850/900/1800/1900MHZ
Positioning Time	Hot Start<2SEC(Open Sky)
	Warm Start<15SEC
GSM Antenna	Spring Antenna
	Built-in 18mm*18mm*4mm Ceramic Antenna
GPRS	Class12. TCP/IP Built-in GSM Module

Channel	20 Class
GPS Sensitivity	-144dBm
Tracking Sensitivity	-160dBm
Communication Type	TCP/IP
SOS Button	Not Support
Microphone	Not Support

SOFTWARE SPECIFICATION

Data Upgrade Port	Not Support
Function Port Definition	Not Support
Parameter Setting	SMS Command, Platform
GPRS Upload	Upload Interval Every 10 Seconds
Third-party Checking	WEB/APP

ACC Detection	Not Support
Geo-fence	Support
Over-speed Alarm	Support
Vibration Alarm	Not Support
Movement Alarm	Not Support



APPLICATION



Fuel Car Industry



Electric Car Industry



Motorcycle Industry